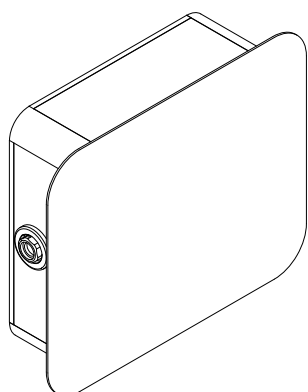
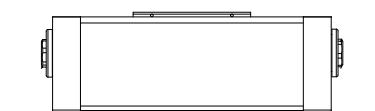
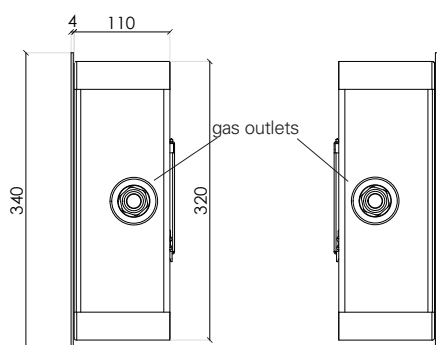
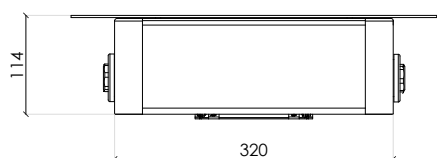
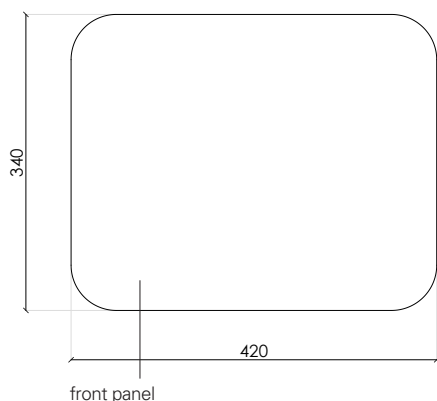


**Lateral arrangement with drilling covers**

**Front panel** metal panel

**Dimensions** L 420mm x H 340mm x P 114mm



Structural component with lateral arrangement for medical gas sockets. Body in extruded aluminium with satin finish and/or painted in white matt RAL 9010 or black RAL 9005 (other RAL available on request). Front panel in metal painted in white matt RAL 9010 or black RAL 9005. Other RAL or materials available on request, including: wood, sound-absorbing material, mirroring material, and coloured plastic laminate.