

# Bi-Magnet linear 500

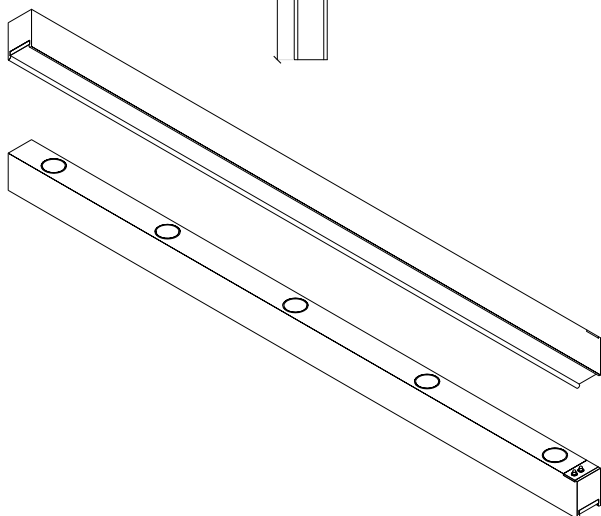
MAGNETIC TRACK



**High colour rendering index** CRI - 90 @ 3000K

**Small linear device**

**Simple installation** magnetic fasteners



Aluminium housing, D21xH28xL500mm, matt color painting white RAL 9010 or black RAL 9005 (other RALs on request), recessed mounting inside magnetic track.

Passive cooling thermal management

Correlate Color Temperature (TCC): 3000K; on request: 4000K

Colour rendering index: Ra-90 @3000K; on request: Ra-80

Chromaticity tolerance: SDCM<3@50.000h

Total power consumption\*: 22W

Luminous Flux\*: 1268lm

Fixed optic: 94°

L 70>50.000h

International protection grade: IP40

Insulation class: CL III

Energy class: A

Weight: 0,45Kg

\* @ 3000K

